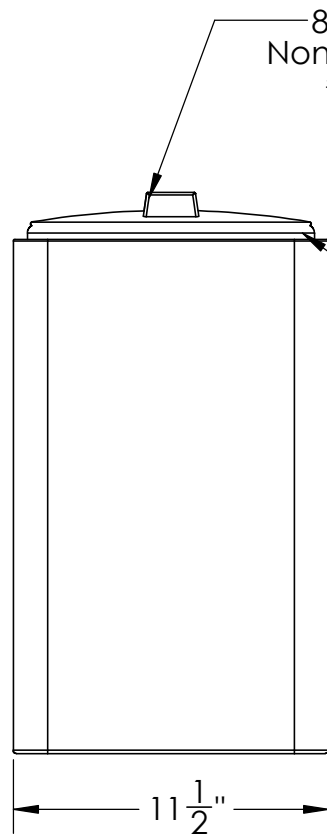
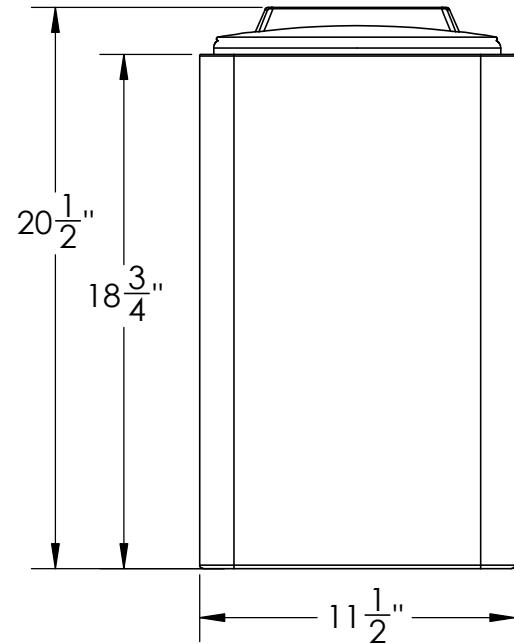
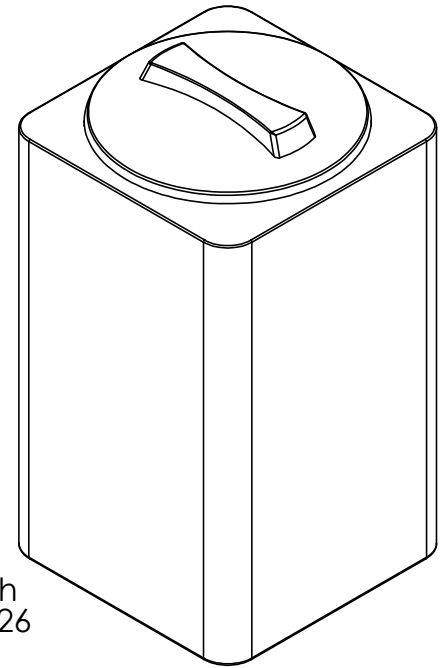


R1  $\frac{1}{4}$ "



8" Closed Non-Vented Lid # 970325

8" Lid Ring with Gasket # 970326



10 Gallon Natural Square Utility Tank with 8" Gasketed Ring & Lid



1390 Neubrecht Road  
Lima, Ohio 45801

STOCK NO. **23744, 23745**

REV **A**

DO NOT SCALE DRAWING

WEIGHT: 11 lbs.

DIMENSIONS ARE IN INCHES  
TOLERANCE:  $\pm 1/4$ "

MATERIAL  
LLDPE - FDA resin

CAPACITY  
9.5 US gal.

GRADUATIONS  
NO

NOMINAL WALL THICKNESS  
1/4"

	NAME	DATE
DRAWN	NJV	4/17/24
APPROVED		

COMMENTS:

Natural, Black  
UV Stabilized

**PROPRIETARY AND CONFIDENTIAL**

THE INFORMATION CONTAINED IN THIS DRAWING IS THE SOLE PROPERTY OF TAMCO. ANY REPRODUCTION IN PART OR AS A WHOLE WITHOUT THE WRITTEN PERMISSION OF TAMCO IS PROHIBITED.

MAX. OPERATING TEMP. 140°F  
INTERMITTENT SERVICE TO 160°F  
SEE CHEMICAL RESISTANCE CHART FOR COMPATIBILITY